

Item number: BC.HTA.00.405.20000

Revision: 00 · Date: 12 - 2024

Legend Gear tail bag LR5

 ~ 0.25 h.EASY      DIFFICULT

ENGLISH Thank you for choosing this premium product from SW-MOTECH. Visit our online shop for more information (e.g. model assignments). Required documents (e.g. national type approval) are available there for you to download.

Please read and understand all the instructions, safety information and warnings in these mounting instructions before mounting and using the product in order to avoid injury and damage. Keep these mounting instructions for reference.


This product was developed for vehicles in factory condition. Compatibility with original accessories or accessories from other manufacturers cannot be guaranteed.


These mounting instructions have been prepared to the best of our current knowledge. No legal claims relating to accuracy can be made. Errors and omissions excepted. We reserve the right to make technical and design changes. The copyright is held by SW-MOTECH.


SAFETY WARNING SYMBOL

 This warning symbol is used in these mounting instructions to warn of deadly dangers, injuries or other hazards. The words **DANGER**, **WARNING** or **CAUTION** are used as part of this warning symbol to convey important safety messages and information relating to the installation and use of this product. These words, together with the safety warning symbol, mean:

 **DANGER:** Indicates a hazardous situation which, if not avoided, will result in death or serious injury!

 **WARNING:** Indicates a hazardous situation which, if not avoided, may result in death or serious injury!

 **CAUTION:** Indicates a hazardous situation which, if not avoided, may result in minor or moderate injury!


 **NOTE:** Important information, but not relating to a risk of death or injury (property damage only)!

GENERAL INFORMATION


 **WARNING:** Assembly and/or maintenance of this product requires advanced technical skill, appropriate tools, and a good understanding of tool usage and torque specifications. For your own safety, SW-MOTECH recommends having the assembly and/or maintenance carried out by a qualified and certified motorcycle workshop.


 **WARNING:** If you do choose to assemble this product yourself, carefully and fully read the mounting instructions before assembly and use, and follow all instructions to avoid serious injury or death. Also observe all relevant information in the vehicle manual when mounting or using the product. IF YOU DO NOT UNDERSTAND ANY PART OF THESE MOUNTING INSTRUCTIONS OR NEED AN EXPLANATION AS TO A SPECIFIC INSTRUCTION, DO NOT ATTEMPT TO INSTALL THIS PRODUCT WITHOUT CONSULTING SW-MOTECH FOR ASSISTANCE!

PREPARATION: Read the mounting instructions carefully and make sure that all parts on the parts list are available.


 **CAUTION:** Ensure that your vehicle is standing securely. Switch off the engine and remove the ignition key. Allow the engine/exhaust to cool down if necessary. Disconnect the battery when working on the electrical system. Only use proper tools and always wear safety goggles and gloves during assembly and maintenance. Have a second person help you with assembly and maintenance.

ASSEMBLY: All parts and connections removed from the vehicle must be reinstalled according to the vehicle manufacturer's specifications or replaced with parts and hardware supplied by SW-MOTECH.

 **WARNING:** Secure all threads with a medium-strength liquid threadlocker, unless otherwise specified.

 **DANGER:** Tightening torques not defined by SW-MOTECH must be obtained from the vehicle manufacturer or a certified motorbike workshop.

FUNCTIONAL CHECK: After mounting the product, ensure that no moving parts are obstructed and that the function of the vehicle is not impeded. Cables and hoses must not rub against each other and/or be hindered in any way.

 **WARNING:** Carry out a comprehensive functionality check before you start to drive. Check the tightening torque of all connections and the tight fit of the product after the first 50 km and then at regular intervals. Mounted accessories can change the handling and stability of the vehicle.



SW-MOTECH GmbH & Co. KG
Ernteweg 7-10
35282 Rauschenberg
Germany



 info@sw-motech.com
 www.sw-motech.com



Take note of the symbols and what they mean in the ASSEMBLY section. If the term OEM appears in the ASSEMBLY section, the vehicle manufacturer's specifications must be observed and applied.



If you have any questions, please don't hesitate to contact our Customer Service team or our distributors. You can find our telephone number and a list of our distributors in our online shop:

www.sw-motech.com

PARTS LIST - READ AND KEEP MOUNTING INSTRUCTIONS!

1

1



LSF.350.250

 1/1

2



BC.HTA.00.405.20000

 1/1

2

3



BC.ZUB.00.147.30000

 1/1

4

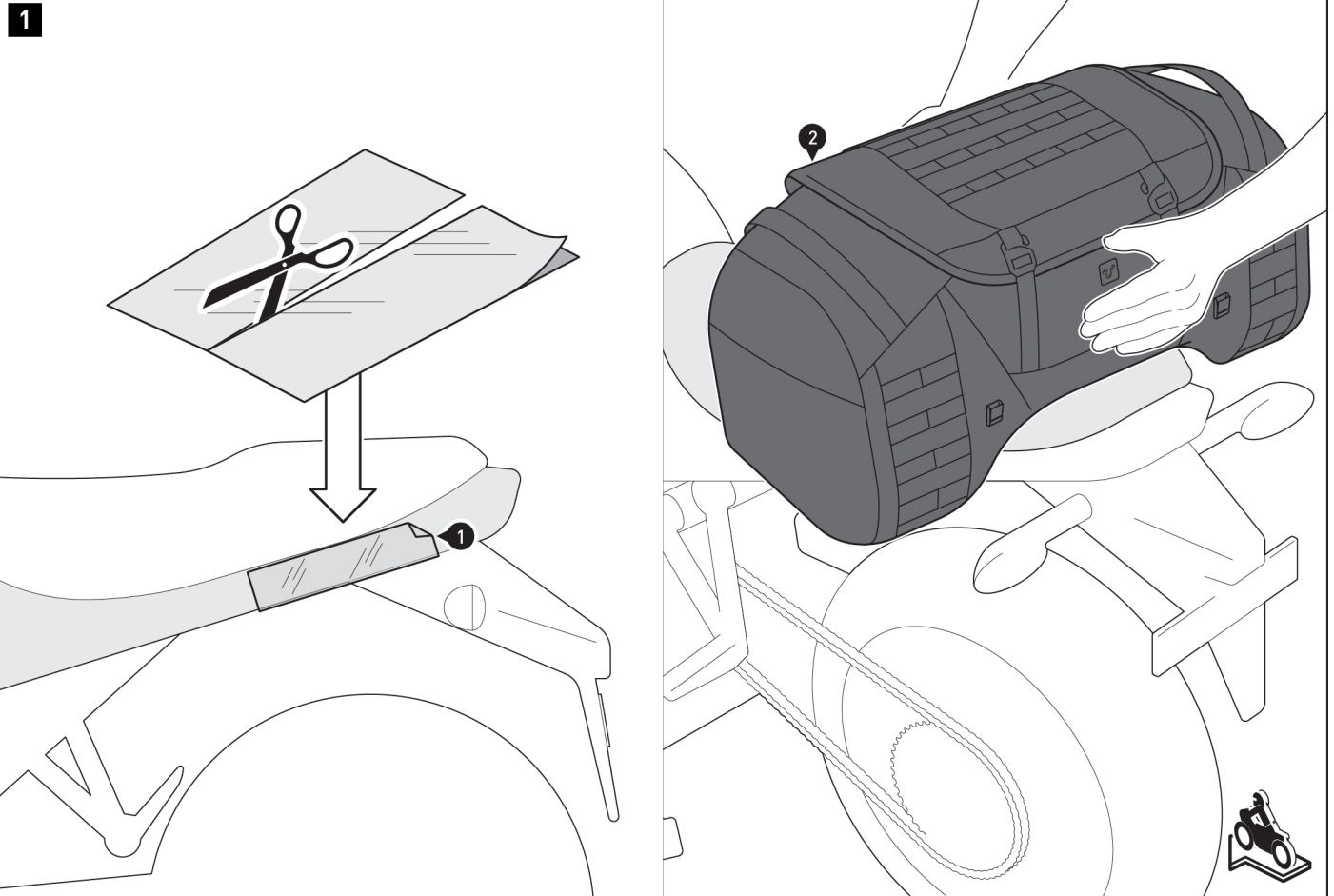
4



BC.ZUB.00.149.30000

 1/1

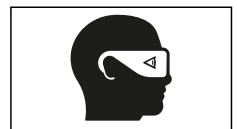
MOUNTING STEP - READ AND KEEP MOUNTING INSTRUCTIONS!



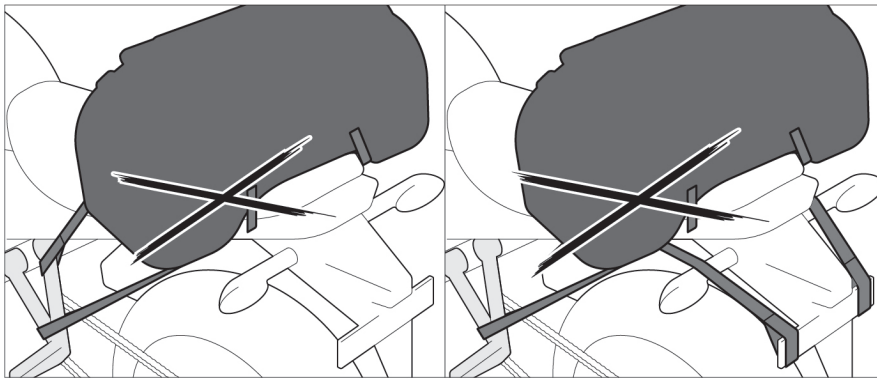
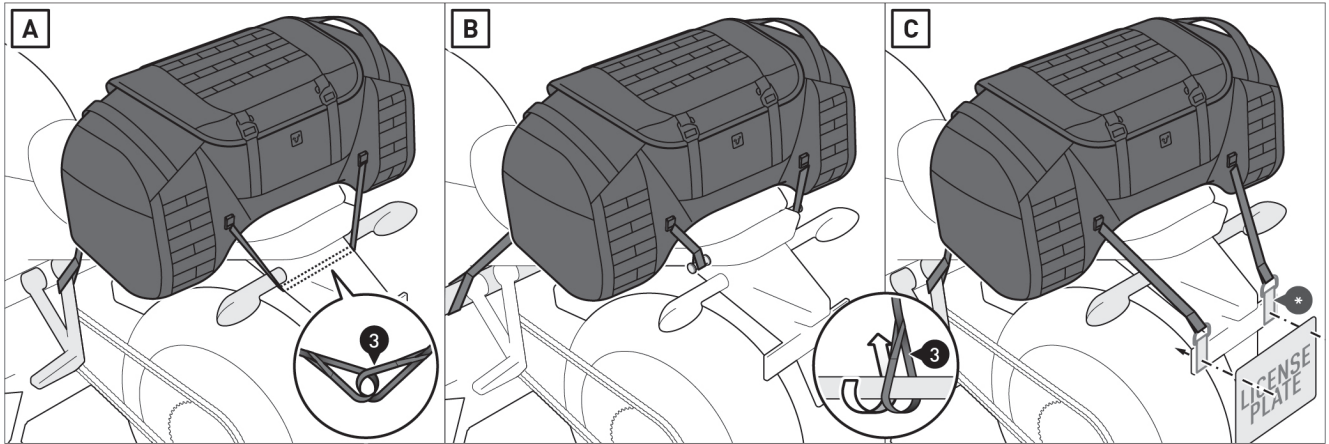
- ⚠ **WARNING: Always wear eye and hand protection!**
- ⚠ **WARNING: Always use the proper tools!**

Thoroughly clean the surface to be covered of any grease and dirt residues. Apply the protective adhesive film (1) to **both** sides of the tail bag (2).

Then place the tail bag (2).



2

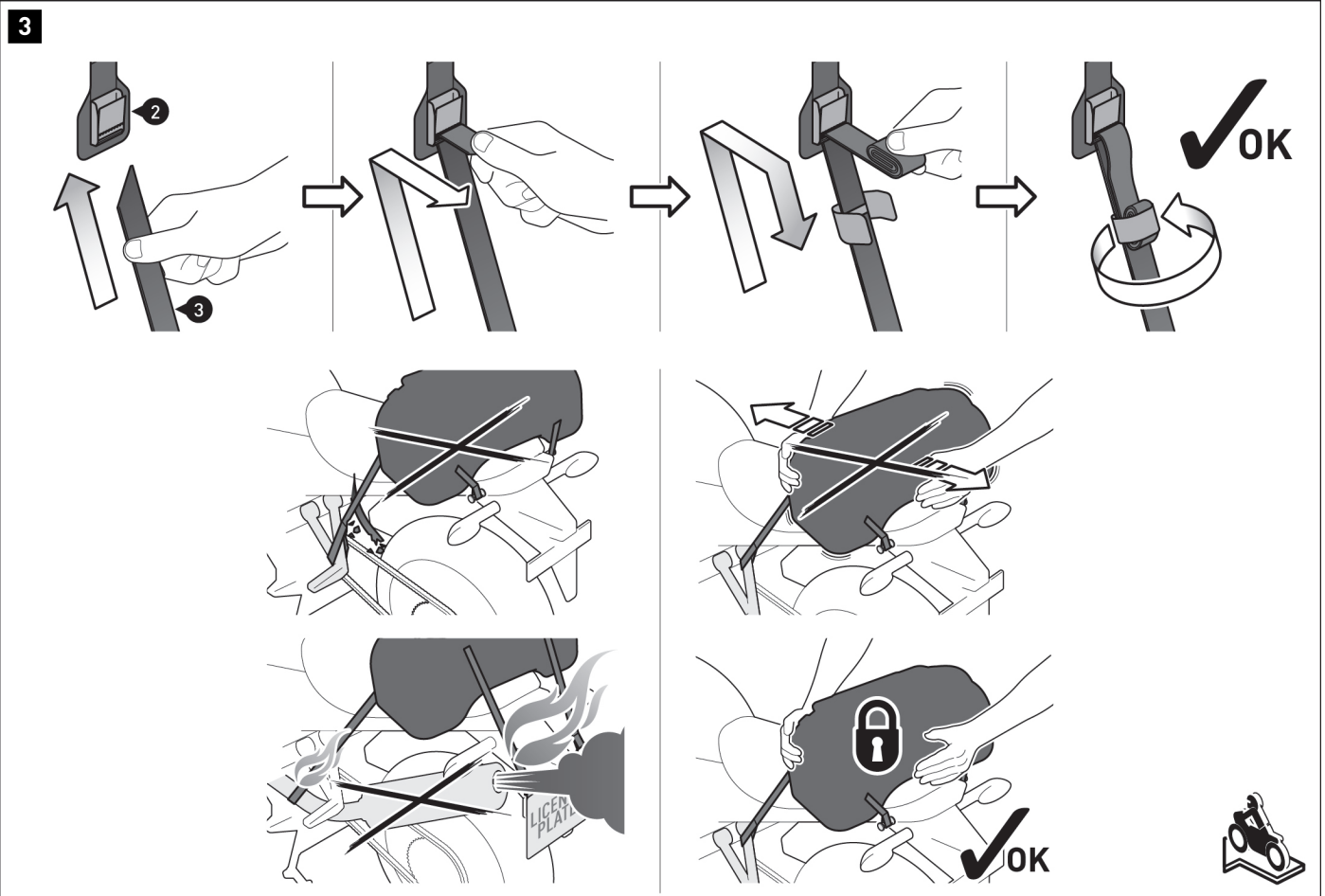


⚠ NOTE: SW-MOTECH recommends attaching heavy-duty license plate holders to the lashing eyes (*), which are available separately. Screw the lashing eyes (*) behind the license plate using the original screws.

Loop the fastening straps (3) to **four** suitable and strong fastening points on the vehicle [e.g. footrest mount, vehicle frame, luggage hook]. See examples [A], [B], and [C].

⚠ WARNING: The fastening points must be selected in such a way that the tail bag (2) is secured against slipping. To do so, clamp the tail bag (2) forwards to the two front attachment points and backwards to the two rear attachment points.

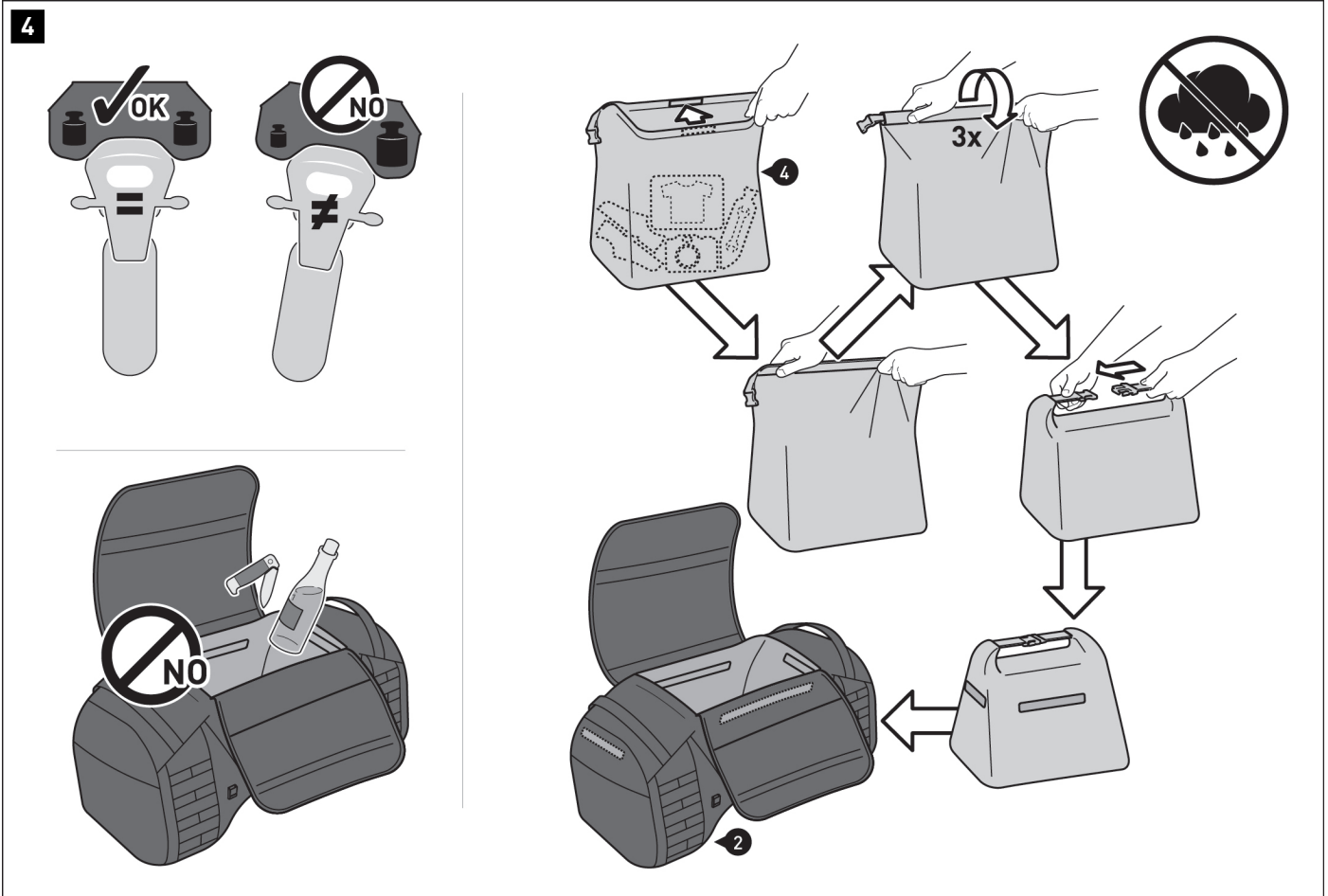




Pull the fastening straps (3) through the buckles of the tail bag (2).
 Now pull it tight until the tail bag (2) is centred and firmly attached to the vehicle.
 Roll up the excess length of the fastening straps (3), and fix them with the Velcro fasteners.

**▲ WARNING: Make sure that no components of the tail bag come into contact with hot and moving parts of the vehicle.
 Also ensure that all components are at least 5 cm away from hot parts as well as hot gas coming from the exhaust!
 After assembly, make sure that this distance is maintained in all vehicle positions!**

▲ WARNING: Check that the tail bag (2) is securely fastened before starting your journey as well as every 200 km.



LOADING

⚠ NOTE: Make sure the load is evenly distributed and secured against slipping.

⚠ NOTE: Never store sharp or pointed objects that could injure people or damage the vehicle or the tail bag.

⚠ NOTE: Always use the enclosed waterproof inner bag (4) to protect your luggage from moisture.

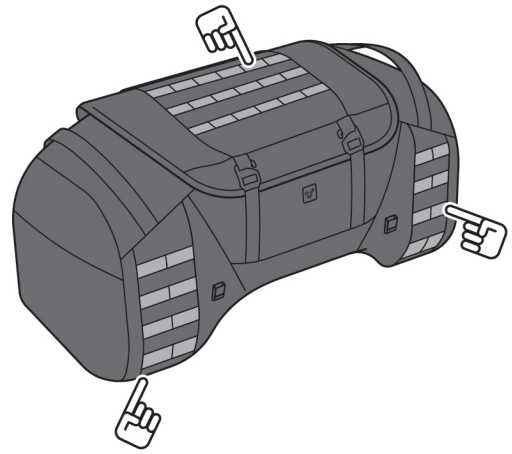
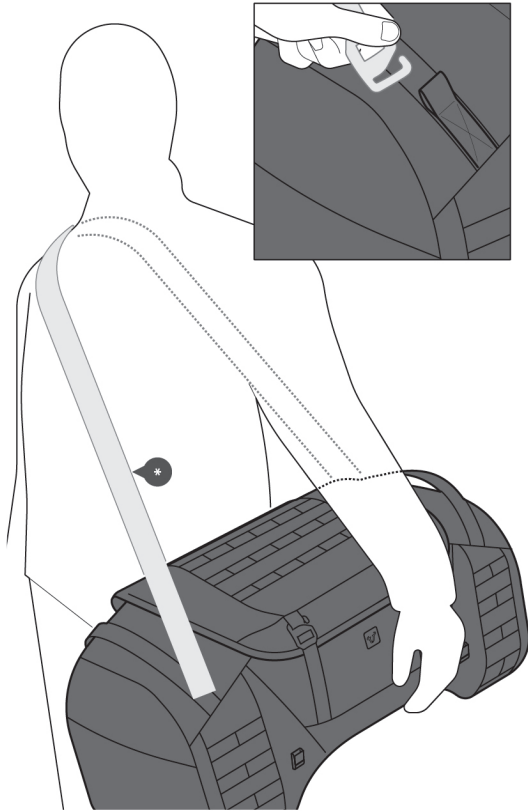
Fasten the waterproof inner bag (4) to the Velcro strip on the inside.

Also protect sensitive luggage (e.g. electronic devices) from moisture with a plastic bag.

⚠ WARNING: Maximum load is 15 kg.



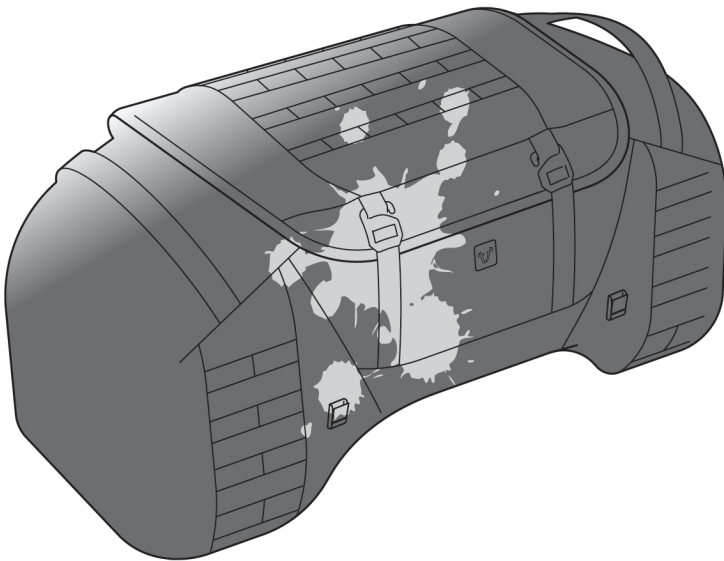
5



Hook the BC.HTA.00.407.2000* carrying strap (*) into the loops shown. This is sold separately.

⚠ NOTE: Attach **only** authorised SW-MOTECH products to the MOLLE system.

6



CARE

For cleaning, use **ONLY** a soft textile brush, cloth, or sponge and warm soapy water. Then rinse with clean water. **DO NOT** use harsh cleaning agents, abrasive cleaning utensils, or a pressure washer. Be sure to thoroughly clean the tail bag after winter rides in order to prevent damage caused by salt.

△ NOTE: Surface materials may be subject to colour changes (fading) if exposed to prolonged and intense sunlight and environmental influences (e.g. smog and acid rain). SW-MOTECH accepts no liability for this.

PRODUCT-SPECIFIC NOTES

⚠ NOTE: Observe the country-specific regulations for the registration/operation of your vehicle or applicable TÜV regulations. Have parts that require registration entered in the vehicle documents by your test center after installation.

⚠ DANGER: Since this is a universal product, please make sure that the product can be attached and used properly and seamlessly on your vehicle type BEFORE using it for the first time! After attaching, check that all vehicle parts can move freely and function properly! Lamps such as taillights and turn light indicators must not be impeded in their function! Cables, wires and hoses should not rub and/or squeeze against anything!

⚠ DANGER: Carry out a comprehensive functional check before starting your journey!

⚠ DANGER: Check that the product sits firmly in place before starting your journey and at every rest stop (every 200 km)!

⚠ DANGER: The driving/braking behavior of the motorcycle changes noticeably after the attachment of this product!

⚠ DANGER: Lean angle and ground clearance may be restricted by this product!

⚠ DANGER: Not suitable for offroad use!

⚠ DANGER: The maximum vehicle load defined by the vehicle manufacturer may NOT be exceeded.

	see LOAD		≤ 130km/h (≤ 80mph)
---	----------	---	---------------------